

Technical Publication

DICOM Conformance Statement
DICOM Proxy 5.1

Document Revision 15

26-Apr-2024

2024© Copyright Brainlab AG



1 Conformance Statement Overview

This is a conformance statement for the Brainlab software DICOM Proxy. The DICOM Proxy represents an intermediate layer between a hospital PACS system and any other Brainlab applications, which require patient data. The DICOM Proxy acts as a Q/R server for Brainlab's medical applications and communicates only via the standardized DICOM interface.

The DICOM part of the application is

- Receive Queries via the DICOM Q/R protocol and answer them using cached data or forward them to configured external sources.
- Receive Retrieve Request via the DICOM Q/R protocol and answer them using cached data or retrieve the data from configured external sources.
- Receive pushed DICOM data and store it in the cache.
- Receive Queries via the DICOM Modality Worklist protocol and answer them using the internal Modality Worklist or forward them to one or more other remote Modality Worklist servers.
- Unified Worklist and Procedure Steps (UPS) is part of the performer infrastructure. It allows to schedule and update Performer Tasks as well as query for them.

What is not part of DICOM Proxy:

- There is no way to import DICOM data from a file system or CD

This conformance statement only describes the Query/Retrieve SCU and Storage SCU/SCP part. The other services are internal by now and won't be documented here.

SOP Classes	User Of Service (SCU)	Provider Of Service (SCP)
Transfer		
Deformable Spatial Registration Storage	No	Yes
Encapsulated PDF Storage	No	Yes
Enhanced CT Image	No	Yes
Enhanced MR Color Image Storage	No	Yes
Enhanced MR Image	No	Yes
Enhanced PET Image Storage	No	Yes
Enhanced US Volume Storage	No	Yes
Enhanced XA Image Storage	No	Yes
Enhanced XRF Image Storage	No	Yes
Key Object Selection Document	No	Yes
MR Spectroscopy	No	Yes
Ophthalmic Tomography Image Storage	No	Yes
Parametric Map	No	Yes
Raw Data	No	Yes
SC Multi Frame Grayscale Byte	No	Yes
SC Multi Frame Grayscale Word	No	Yes
SC Multi Frame True Color	No	Yes
Segmentation Storage	No	Yes
Spatial Fiducials	No	Yes
Spatial Registration	No	Yes
Standard Basic Text SR	No	Yes
Standard Comprehensive SR	No	Yes
Standard CR	No	Yes
Standard CT	No	Yes
Standard Curve	No	Yes
Standard Digital X-Ray Image for Image for Presentation	No	Yes
Standard Digital X-Ray Image for Image for Processing	No	Yes
Standard Enhanced SR	No	Yes
Standard Grayscale Softcopy Image for Presentation State	No	Yes
Standard Hardcopy Color	No	Yes
Standard Hardcopy Grayscale	No	Yes
Standard Intra-oral X-Ray Image for Presentation	No	Yes
Standard Intra-oral X-Ray Image for Processing	No	Yes
Standard MG Image for Presentation	No	Yes
Standard MG Image for Processing	No	Yes
Standard MR	No	Yes
Standard NM	No	Yes
Standard NM Retired	No	Yes
Standard Ophthalmic 16 Bit	No	Yes
Standard Ophthalmic 8 Bit	No	Yes
Standard Overlay	No	Yes
Standard PET	No	Yes
Standard RT Beams Treat	No	Yes

SOP Classes	User Of Service (SCU)	Provider Of Service (SCP)
Standard RT Brachy Treat	No	Yes
Standard RT Dose	No	Yes
Standard RT Image	No	Yes
Standard RT Plan	No	Yes
Standard RT Structure Set	No	Yes
Standard RT Treat Sum	No	Yes
Standard Secondary Capture	No	Yes
Standard US	No	Yes
Standard US Multi Frame	No	Yes
Standard US Multi Frame Retired	No	Yes
Standard US Retired	No	Yes
Standard Video Endoscopic	No	Yes
Standard Video Microscopic	No	Yes
Standard Video Photographic	No	Yes
Standard VL Endoscopic	No	Yes
Standard VL Microscopic	No	Yes
Standard VL Photographic	No	Yes
Standard VL Slide Microscopic	No	Yes
Standard VOI LUT	No	Yes
Standard X-Ray Angio	No	Yes
Standard X-Ray Angio Biplane	No	Yes
Standard X-Ray RF	No	Yes
Stereometric Relationship	No	Yes
Surface Segmentation Storage	No	Yes
Tractography Results	No	Yes
X-Ray 3D Angiographic Image Storage	No	Yes
X-Ray 3D Craniofacial Image Storage	No	Yes
X-Ray Radiation Dose SR	No	Yes
Query/Retrieve		
Patient Root Query/Retrieve Information Model - FIND	Yes	No
Patient Root Query/Retrieve Information Model - MOVE	Yes	No
Patient Root Query/Retrieve Information Model - GET	Yes	No
Study Root Query/Retrieve Information Model - FIND	Yes	No
Study Root Query/Retrieve Information Model - MOVE	Yes	No
Study Root Query/Retrieve Information Model - GET	Yes	No
Modality Worklist		
Modality Worklist Information Model - FIND	Yes	No

Table 1-1: Network services supported by DICOM Proxy

2 Table of Contents

1	Conformance Statement Overview	3
2	Table of Contents	7
3	Introduction	9
3.1	Revision History	9
3.2	Audience	9
3.3	Remarks	9
3.4	Abbreviations	11
3.5	References	11
4	Networking	12
4.1	Implementation Model	12
4.1.1	Application Data Flow Diagram	12
4.1.2	Functional Definition of Application Entity (AE)	14
4.1.3	Sequencing Of Real World Activities	14
4.2	Application Entity Specifications	16
4.2.1	DICOM Proxy Specification	16
4.2.1.1	SOP Classes and Transfer Syntaxes	16
4.2.1.2	Association Policies	20
4.2.1.2.1	General	20
4.2.1.2.2	Number of Associations	20
4.2.1.2.3	Asynchronous Nature	21
4.2.1.2.4	Implementation Identifying Information	21
4.2.1.3	Association Initiation Policy	21
4.2.1.3.1	Activity – Find	21
4.2.1.3.2	Activity – Retrieve (C-MOVE)	23
4.2.1.3.3	Activity – Retrieve (C-GET)	24
4.2.1.3.4	Activity - Query Worklist	25
4.2.1.4	Association Acceptance Policy	25
4.2.1.4.1	Activity - Store	25
4.3	Network Interfaces	26
4.3.1	Physical Network Interface	26
4.3.2	Additional Protocols	26
4.4	Configuration	27
4.4.1	AE Title / Presentation Address Mapping	27
4.4.1.1	Local AE Titles	27
4.4.1.2	Remote AE Title/Presentation Address Mapping	27
4.4.2	Parameters	27
5	Media Interchange	29
6	Support of Extended Character Sets	31
7	Security Profiles	33
8	Annexes	34
8.1	IOD Contents	34
8.1.1	Created SOP Instances	34
8.1.2	Usage of Attributes from Received IODs	34
8.2	Data Dictionary of Private Attributes	34
8.3	Coded Terminology and Templates	34
8.4	Grayscale Image Consistency	34

8.5	Standard Extended/Specialized/Private Sop Classes	34
8.6	Private Transfer Syntaxes	34
9	Indexes	35
9.1	Index of Tables	35
9.2	Index of Figures	35

3 Introduction

3.1 Revision History

Document Version	Date of Issue	Description
1	January 14, 2010	Initial release for DICOM Proxy 1.0
2	March 12, 2010	Update for DICOM Proxy 1.1
3	October 27, 2010	Update for DICOM Proxy 2.0
4	April 04, 2011	Update for DICOM Proxy 2.1
5	December 19, 2011	Update for DICOM Proxy 3.0
6	August 30, 2012	Update for DICOM Proxy 3.1
7	April 1, 2014	Update for DICOM Proxy 3.2
8	February 24, 2014	Update for DICOM Proxy 3.2.4
9	July 16, 2014	Update for DICOM Proxy 3.3.0
10	November 2, 2016	Update for DICOM Proxy 3.4
11	May 18, 2017	Update for DICOM Proxy 4.0
12	April 20, 2018	Update for DICOM Proxy 4.1
13	August 13, 2021	Update for DICOM Proxy 4.2
14	December 13, 2022	Update for DICOM Proxy 5.0
15	April 26, 2024	Update for DICOM Proxy 5.1

3.2 Audience

This document is intended for hospital staff, health system integrators, software designers or implementers. It is assumed that the reader has a working understanding of DICOM.

3.3 Remarks

DICOM, by itself, does not guarantee interoperability. However, the Conformance Statement facilitates a first-level validation for interoperability between different applications supporting the same DICOM functionality. The Conformance Statement should be read and understood in conjunction with the DICOM Standard [1]. However, by itself it is not guaranteed to ensure the desired interoperability and a successful interconnectivity.

The user should be aware of the following important issues:

- The comparison of different conformance statements is the first step towards assessing interconnectivity between Brainlab and non–Brainlab equipment.
- This Conformance Statement is not intended to replace validation with other DICOM equipment to ensure proper exchange of information intended. An acceptance protocol is available to validate the desired level of connectivity.

-
- The DICOM standard will evolve to meet the users' future requirements. Brainlab reserves the right to make changes to its products or to discontinue its delivery.

3.4 Abbreviations

There are a variety of terms and abbreviations used in the document that are defined in the DICOM Standard. Abbreviations and terms are as follows:

AE	DICOM Application Entity
AET	Application Entity Title
IOD	(DICOM) Information Object Definition
ISO	International Standard Organization
PDU	DICOM Protocol Data Unit
Q/R	Query and Retrieve
SCU	DICOM Service Class User (DICOM client)
SCP	DICOM Service Class Provider (DICOM server)
SOP	DICOM Service-Object Pair

3.5 References

- [1] Digital Imaging and Communications in Medicine (DICOM) 3.0, NEMA PS 3.1 – 2021b

4 Networking

4.1 Implementation Model

The Brainlab DICOM Proxy application is an implementation of:

- A Query/Retrieve SCU to query DICOM archives and to initiate a move request for the queried archive.
- A Query/Retrieve SCP to receive queries and move requests and answer them locally or forward them to another Q/R server (only used by Brainlab Applications).
- A Storage SCU which sends DICOM data to the requesting node (only used by Brainlab Applications).
- A Storage SCP to receive data.
- A Modality Worklist SCU to query a remote Worklist server.
- A Modality Worklist SCP to answer queries from the local Worklist. It also forwards queries to configured remote Worklist servers.

4.1.1 Application Data Flow Diagram

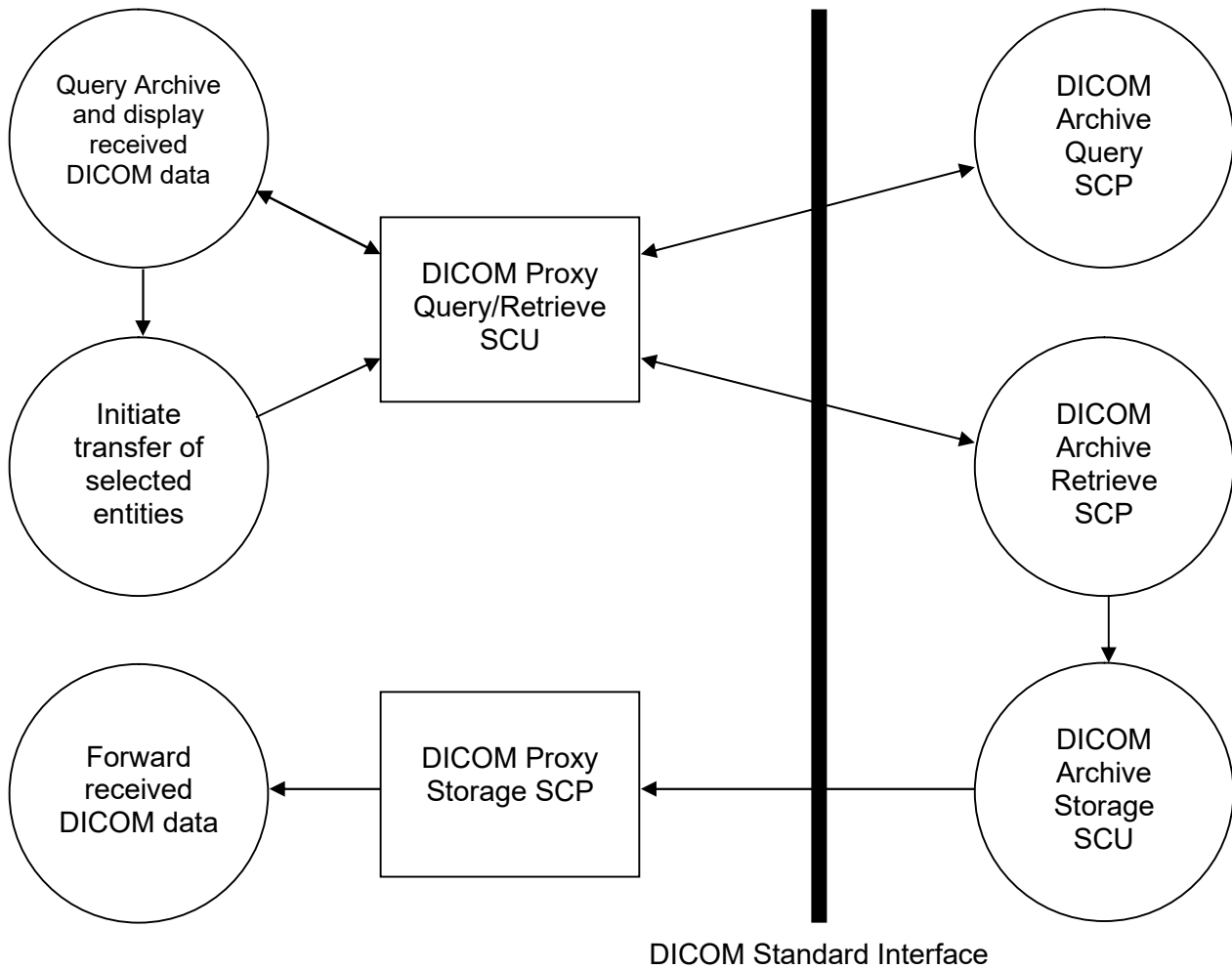


Figure 4-1: The Query/Retrieve SCU and Storage SCP application flow diagram

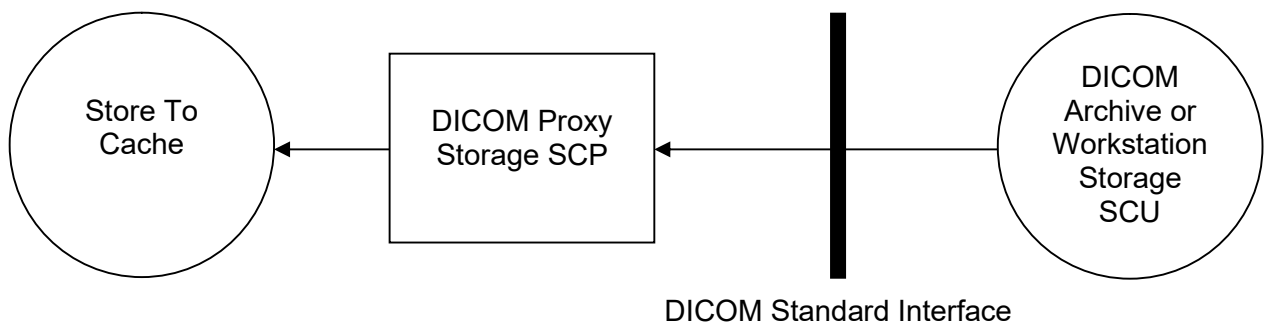


Figure 4-2: The Storage SCP application flow diagram

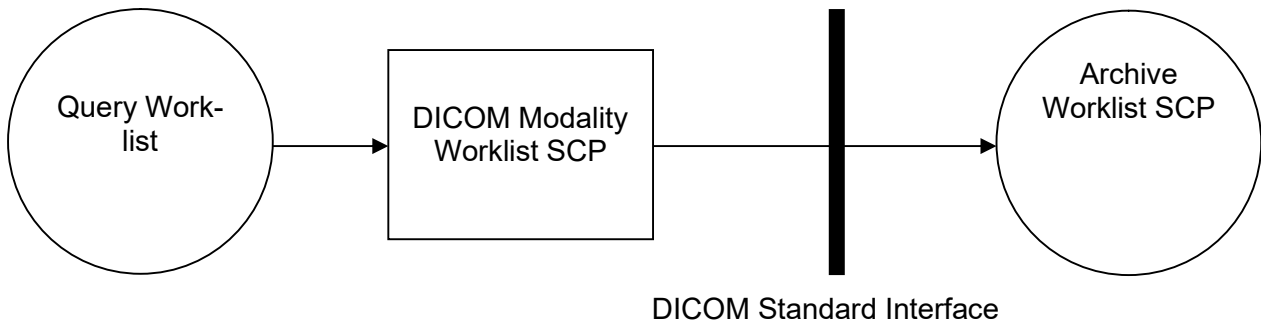


Figure 4-3: The Storage SCP application flow diagram

4.1.2 Functional Definition of Application Entity (AE)

Communications and data transfer with remote AEs are accomplished utilizing the DICOM protocol over a network using the TCP/IP protocol stack.

- **Query and Retrieve SCU:**
The Q/R SCU receives find or move request from the Q/R SCP and sends it to an external Q/R server. The find request can be performed (depending on the negotiated models) on all DICOM levels (patient, study, series or instance). A move request can be performed on series and instance level. If configured, the Q/R SCP can use C-GET requests instead of C-MOVE requests.
- **Storage SCP:**
During a move operation a DICOM Storage SCP is invoked. DICOM Proxy accepts an association with a Storage SCU negotiating any of the SOP Classes listed in Table 4-2. If the received data matches a running move request, the data is forwarded to the AET specified in the move request. To send the data, the Proxies Storage SCU is used. If it does not match or if no move request is running, the data is stored in the cache and can be retrieved later on.
- **Worklist SCU:**
The DICOM Proxy sends a query for a worklist to a DICOM Modality Worklist server. Upon user selection (or automatically due to configured prefetching rules) the images of the patient referenced in the worklist are listed and retrieved via the Query/Retrieve Services.

4.1.3 Sequencing Of Real World Activities

DICOM Proxy Query/Retrieve SCU performs a sequencing of real world activities as follows:

1. Query Archive and forward the results to the requesting Brainlab application:
 - a. Send DICOM Query/Retrieve C-FIND request.
 - b. Receive DICOM Query/Retrieve C-FIND responses.
2. Brainlab Application requests data to load.
3. Initiate transfer of selected entities:
 - a. If C-MOVE is configured for the remote SCP:
 - i. Send a DICOM Query/Retrieve C-MOVE request
 - ii. Receive DICOM C-STORE requests with the requested SOP instances.
 - iii. Receive DICOM Query/Retrieve C-MOVE responses
 - b. *Alternatively:* If C-GET is configured for the remote SCP:
 - i. Send a DICOM Query/Retrieve C-GET request
 - ii. Receive DICOM C-STORE requests with the requested SOP instances over the same association as the C-GET request was sent.
 - iii. Receive DICOM Query/Retrieve C-GET responses
4. Forward the data to the requesting application.

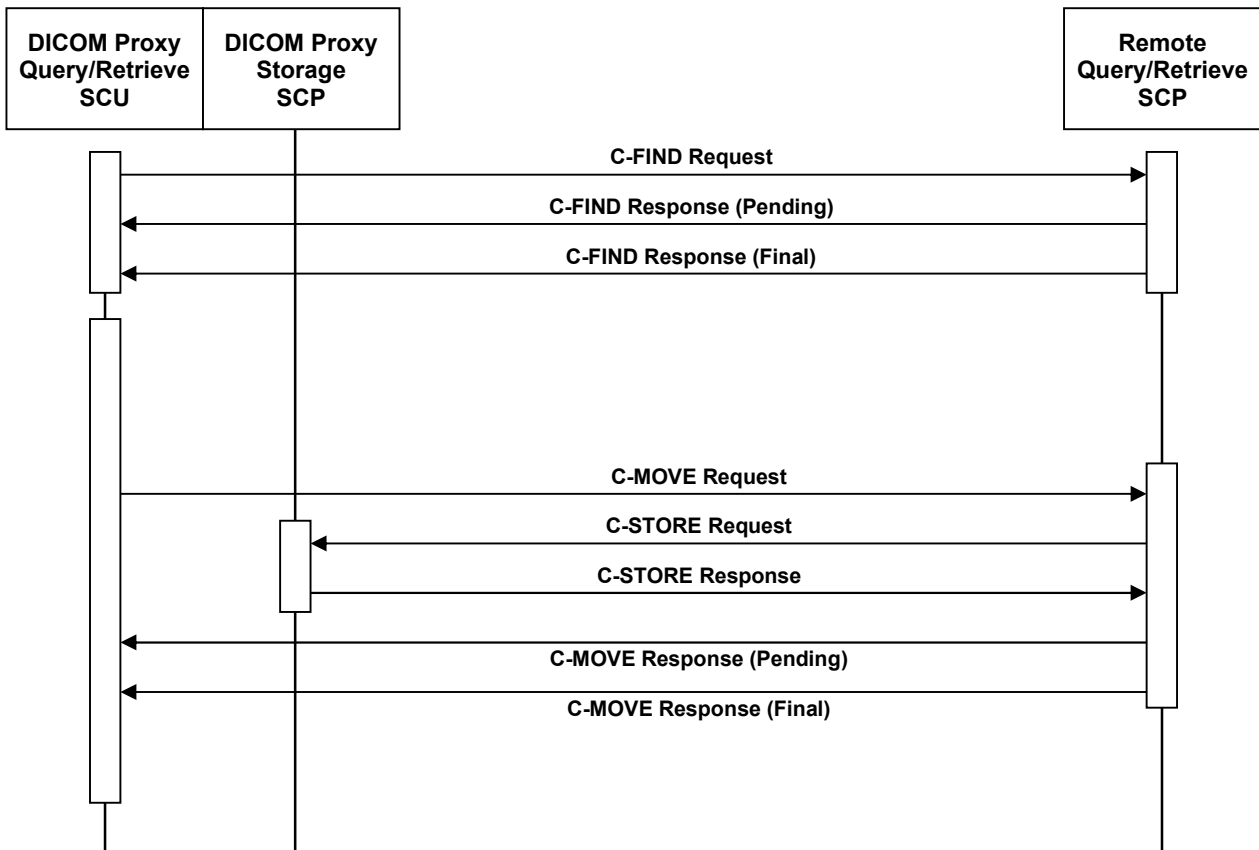


Figure 4-4: Sequencing of Query/Retrieve SCU and Storage SCP

4.2 Application Entity Specifications

4.2.1 DICOM Proxy Specification

4.2.1.1 SOP Classes and Transfer Syntaxes

DICOM Proxy receives a C-ECHO request in order to test the connection to a remote AE. It provides standard conformance to the following DICOM V3.0 SOP Classes:

SOP Class Name	SOP Class UID	SCU	SCP
Verification SOP Class	1.2.840.10008.1.1	Yes	Yes

Table 4-1: Supported Verification SOP Classes

DICOM Proxy imports and exports DICOM image data. It provides Standard Conformance to the following DICOM V3.0 SOP Classes. The "Transfer Syntax" column specifies the Transfer Syntax List of the SCU component only, which is used for the SOP Class. Because the SCP component of DICOMProxy supports all major transfer syntaxes for listed SOP Classes, being bundled in transfer syntax list "ALLSCP". The negotiation of the SCP transfer syntax list is performed in the following order: uncompressed → compressed lossless → compressed lossy. This various transfer syntax lists are specified in table 4-4.

SOP Class Name	SOP Class UID	Transfer Syntax (SCU)
Deformable Spatial Registration Storage	1.2.840.10008.5.1.4.1.1.66.3	UNCOMP
Encapsulated PDF Storage	1.2.840.10008.5.1.4.1.1.104.1	UNCOMP
Enhanced CT Image	1.2.840.10008.5.1.4.1.1.2.1	COMP
Enhanced MR Color Image Storage	1.2.840.10008.5.1.4.1.1.4.3	COMP
Enhanced MR Image	1.2.840.10008.5.1.4.1.1.4.1	COMP
Enhanced PET Image Storage	1.2.840.10008.5.1.4.1.1.130	UNCOMP
Enhanced US Volume Storage	1.2.840.10008.5.1.4.1.1.6.2	COMP
Enhanced XA Image Storage	1.2.840.10008.5.1.4.1.1.12.1.1	COMP
Enhanced XRF Image Storage	1.2.840.10008.5.1.4.1.1.12.2.1	COMP
Key Object Selection Document	1.2.840.10008.5.1.4.1.1.88.59	UNCOMP
MR Spectroscopy	1.2.840.10008.5.1.4.1.1.4.2	COMP
Ophthalmic Tomography Image Storage	1.2.840.10008.5.1.4.1.1.77.1.5.4	COMP
Parametric Map	1.2.840.10008.5.1.4.1.1.30	UNCOMP
Raw Data	1.2.840.10008.5.1.4.1.1.66	UNCOMP
SC Multi Frame Grayscale Byte	1.2.840.10008.5.1.4.1.1.7.2	COMP
SC Multi Frame Grayscale Word	1.2.840.10008.5.1.4.1.1.7.3	COMP
SC Multi Frame True Color	1.2.840.10008.5.1.4.1.1.7.4	LOSSY
Segmentation Storage	1.2.840.10008.5.1.4.1.1.66.4	RLE
Spatial Fiducials	1.2.840.10008.5.1.4.1.1.66.2	UNCOMP
Spatial Registration	1.2.840.10008.5.1.4.1.1.66.1	UNCOMP

SOP Class Name	SOP Class UID	Transfer Syntax (SCU)
Standard Basic Text SR	1.2.840.10008.5.1.4.1.1.88.11	UNCOMP
Standard Comprehensive SR	1.2.840.10008.5.1.4.1.1.88.33	UNCOMP
Standard CR	1.2.840.10008.5.1.4.1.1.1	COMP
Standard CT	1.2.840.10008.5.1.4.1.1.2	COMP
Standard Curve	1.2.840.10008.5.1.4.1.1.9	UNCOMP
Standard Digital X-Ray Image for Image for Presentation	1.2.840.10008.5.1.4.1.1.1.1	COMP
Standard Digital X-Ray Image for Image for Processing	1.2.840.10008.5.1.4.1.1.1.1.1	UNCOMP
Standard Enhanced SR	1.2.840.10008.5.1.4.1.1.88.22	UNCOMP
Standard Grayscale Softcopy Image for Presentation State	1.2.840.10008.5.1.4.1.1.11.1	UNCOMP
Standard Hardcopy Color	1.2.840.10008.5.1.1.30	UNCOMP
Standard Hardcopy Grayscale	1.2.840.10008.5.1.1.29	UNCOMP
Standard Intra-oral X-Ray Image for Presentation	1.2.840.10008.5.1.4.1.1.1.3	UNCOMP
Standard Intra-oral X-Ray Image for Processing	1.2.840.10008.5.1.4.1.1.1.3.1	UNCOMP
Standard MG Image for Presentation	1.2.840.10008.5.1.4.1.1.1.2	UNCOMP
Standard MG Image for Processing	1.2.840.10008.5.1.4.1.1.1.2.1	UNCOMP
Standard MR	1.2.840.10008.5.1.4.1.1.4	COMP
Standard NM	1.2.840.10008.5.1.4.1.1.20	COMP
Standard NM Retired	1.2.840.10008.5.1.4.1.1.5	UNCOMP
Standard Ophthalmic 16 Bit	1.2.840.10008.5.1.4.1.1.77.1.5.2	COMP
Standard Ophthalmic 8 Bit	1.2.840.10008.5.1.4.1.1.77.1.5.1	COMP
Standard Overlay	1.2.840.10008.5.1.4.1.1.8	UNCOMP
Standard PET	1.2.840.10008.5.1.4.1.1.128	COMP
Standard RT Beams Treat	1.2.840.10008.5.1.4.1.1.481.4	COMP
Standard RT Brachy Treat	1.2.840.10008.5.1.4.1.1.481.6	UNCOMP
Standard RT Dose	1.2.840.10008.5.1.4.1.1.481.2	UNCOMP
Standard RT Image	1.2.840.10008.5.1.4.1.1.481.1	COMP
Standard RT Plan	1.2.840.10008.5.1.4.1.1.481.5	UNCOMP
Standard RT Structure Set	1.2.840.10008.5.1.4.1.1.481.3	UNCOMP
Standard RT Treat Sum	1.2.840.10008.5.1.4.1.1.481.7	UNCOMP
Standard RT Ion Plan	1.2.840.10008.5.1.4.1.1.481.8	UNCOMP
Standard RT Ion Beams Treat	1.2.840.10008.5.1.4.1.1.481.9	UNCOMP
Standard Secondary Capture	1.2.840.10008.5.1.4.1.1.7	COMP
Standard US	1.2.840.10008.5.1.4.1.1.6.1	COMP
Standard US Multi Frame	1.2.840.10008.5.1.4.1.1.3.1	COMP
Standard US Multi Frame Retired	1.2.840.10008.5.1.4.1.1.3	UNCOMP
Standard US Retired	1.2.840.10008.5.1.4.1.1.6	UNCOMP

SOP Class Name	SOP Class UID	Transfer Syntax (SCU)
Standard Video Endoscopic	1.2.840.10008.5.1.4.1.1.77.1.1.1	MPEG2+MPEG4
Standard Video Microscopic	1.2.840.10008.5.1.4.1.1.77.1.2.1	MPEG2+MPEG4
Standard Video Photographic	1.2.840.10008.5.1.4.1.1.77.1.4.1	MPEG4
Standard VL Endoscopic	1.2.840.10008.5.1.4.1.1.77.1.1	UNCOMP
Standard VL Microscopic	1.2.840.10008.5.1.4.1.1.77.1.2	UNCOMP
Standard VL Photographic	1.2.840.10008.5.1.4.1.1.77.1.4	UNCOMP
Standard VL Slide Microscopic	1.2.840.10008.5.1.4.1.1.77.1.3	UNCOMP
Standard VOI LUT	1.2.840.10008.5.1.4.1.1.11	UNCOMP
Standard X-Ray Angio	1.2.840.10008.5.1.4.1.1.12.1	COMP
Standard X-Ray Angio Biplane	1.2.840.10008.5.1.4.1.1.12.3	COMP
Standard X-Ray RF	1.2.840.10008.5.1.4.1.1.12.2	COMP
Stereometric Relationship	1.2.840.10008.5.1.4.1.1.77.1.5.3	UNCOMP
Surface Segmentation Storage	1.2.840.10008.5.1.4.1.1.66.5	UNCOMP
Tractography Results	1.2.840.10008.5.1.4.1.1.66.6	UNCOMP
X-Ray 3D Angiographic Image Storage	1.2.840.10008.5.1.4.1.1.13.1.1	COMP
X-Ray 3D Craniofacial Image Storage	1.2.840.10008.5.1.4.1.1.13.1.2	COMP
X-Ray Radiation Dose SR	1.2.840.10008.5.1.4.1.1.88.67	UNCOMP

Table 4-2: Supported Storage SOP Classes

DICOM Proxy is able to query a remote archive and act itself as an image archive. It provides Standard Conformance to the following DICOM V3.0 SOP Classes (the uncompressed transfer Syntax list is used):

SOP Class Name	SOP Class UID	SCU	SCP
Patient Root Query/Retrieve Information Model - FIND	1.2.840.10008.5.1.4.1.2.1.1	Yes	No
Patient Root Query/Retrieve Information Model - MOVE	1.2.840.10008.5.1.4.1.2.1.2	Yes	No
Patient Root Query/Retrieve Information Model - GET	1.2.840.10008.5.1.4.1.2.1.3	Yes	No
Study Root Query/Retrieve Information Model - FIND	1.2.840.10008.5.1.4.1.2.2.1	Yes	No
Study Root Query/Retrieve Information Model - MOVE	1.2.840.10008.5.1.4.1.2.2.2	Yes	No
Study Root Query/Retrieve Information Model - GET	1.2.840.10008.5.1.4.1.2.2.3	Yes	No

Table 4-3: Supported Query/Retrieve SOP Classes

DICOM Proxy is able to query a remote Modality Worklist Server. It provides Standard Conformance to the following DICOM V3.0 SOP Classes (the uncompressed transfer Syntax list is used):

SOP Class Name	SOP Class UID	SCU	SCP
Modality Worklist Information Model - FIND	1.2.840.10008.5.1.4.31	Yes	No

Table 4-4: Supported Worklist SOP Classes

DICOM Proxy supports the following transfer syntax lists. In an association negotiation the syntaxes are proposed in the order of appearance in the list.

Transfer Syntax Name	Transfer Syntax UID
Server Compressed Transfer Syntax List (COMPSCP)	
JPEG Lossless, Non-Hierarchical, First-Order Prediction (Process 14)	1.2.840.10008.1.2.4.70
RLE Lossless	1.2.840.10008.1.2.5
JPEG Baseline (Process 1)	1.2.840.10008.1.2.4.50
JPEG Extended (Process 2 & 4)	1.2.840.10008.1.2.4.51
MPEG2 MP@ML Image Compression	1.2.840.10008.1.2.4.100
MPEG2 MP@HL Image Compression	1.2.840.10008.1.2.4.101
MPEG-4 AVC/H.264 High Profile / Level 4.1	1.2.840.10008.1.2.4.102
MPEG-4 AVC/H.264 BD-compatible High Profile / Level 4.1	1.2.840.10008.1.2.4.103
MPEG-4 AVC/H.264 High Profile / Level 4.2 2D	1.2.840.10008.1.2.4.104
Server Uncompressed and Compressed Transfer Syntax List (ALLSCP)	
DICOM Explicit VR Little Endian	1.2.840.10008.1.2.1
DICOM Explicit VR Big Endian	1.2.840.10008.1.2.2
DICOM Implicit VR Little Endian	1.2.840.10008.1.2
JPEG Lossless, Non-Hierarchical, First-Order Prediction (Process 14)	1.2.840.10008.1.2.4.70
RLE Lossless	1.2.840.10008.1.2.5
JPEG Baseline (Process 1)	1.2.840.10008.1.2.4.50
JPEG Extended (Process 2 & 4)	1.2.840.10008.1.2.4.51
MPEG2 MP@ML Image Compression	1.2.840.10008.1.2.4.100
MPEG2 MP@HL Image Compression	1.2.840.10008.1.2.4.101
MPEG-4 AVC/H.264 High Profile / Level 4.1	1.2.840.10008.1.2.4.102
MPEG-4 AVC/H.264 BD-compatible High Profile / Level 4.1	1.2.840.10008.1.2.4.103
MPEG-4 AVC/H.264 High Profile / Level 4.2 2D	1.2.840.10008.1.2.4.104
Client Uncompressed Transfer Syntax List (UNCOMP)	
DICOM Explicit VR Little Endian	1.2.840.10008.1.2.1
DICOM Explicit VR Big Endian	1.2.840.10008.1.2.2
DICOM Implicit VR Little Endian	1.2.840.10008.1.2
Client Compressed Transfer Syntax List (COMP)	
DICOM Explicit VR Little Endian	1.2.840.10008.1.2.1
DICOM Explicit VR Big Endian	1.2.840.10008.1.2.2
DICOM Implicit VR Little Endian	1.2.840.10008.1.2

JPEG Lossless, Non-Hierarchical, First-Order Prediction (Process 14)	1.2.840.10008.1.2.4.70
RLE Lossless	1.2.840.10008.1.2.5
Client RLE Transfer Syntax List (RLE)	
RLE Lossless	1.2.840.10008.1.2.5
DICOM Explicit VR Little Endian	1.2.840.10008.1.2.1
DICOM Explicit VR Big Endian	1.2.840.10008.1.2.2
DICOM Implicit VR Little Endian	1.2.840.10008.1.2
Client Only Implicit Transfer Syntax List (IMPL)	
DICOM Implicit VR Little Endian	1.2.840.10008.1.2
Client JPEG Lossy Transfer Syntax List (LOSSY)	
DICOM Explicit VR Little Endian	1.2.840.10008.1.2.1
DICOM Explicit VR Big Endian	1.2.840.10008.1.2.2
DICOM Implicit VR Little Endian	1.2.840.10008.1.2
JPEG Baseline (Process 1)	1.2.840.10008.1.2.4.50
Client MPEG2 Lossy Transfer Syntax List (MPEG2)	
DICOM Explicit VR Little Endian	1.2.840.10008.1.2.1
DICOM Explicit VR Big Endian	1.2.840.10008.1.2.2
DICOM Implicit VR Little Endian	1.2.840.10008.1.2
MPEG2 MP@ML Image Compression	1.2.840.10008.1.2.4.100
Client MPEG4 Lossy Transfer Syntax List (MPEG4)	
DICOM Explicit VR Little Endian	1.2.840.10008.1.2.1
DICOM Explicit VR Big Endian	1.2.840.10008.1.2.2
DICOM Implicit VR Little Endian	1.2.840.10008.1.2
MPEG-4 AVC/H.264 High Profile / Level 4.1	1.2.840.10008.1.2.4.102
MPEG-4 AVC/H.264 High Profile / Level 4.2 2D	1.2.840.10008.1.2.4.104

Table 4-5: Supported Transfer Syntaxes (association negotiation)

The Only Implicit Transfer Syntax List (IMPL) is used for some SOP Classes which contain attributes with a length exceeding 65534 bytes, which cannot be encoded properly if Explicit VR is used.

The transfer syntaxes listed in the above table represent the default behavior. Compression can be disabled or forced for every single remote DICOM Node.

4.2.1.2 Association Policies

4.2.1.2.1 General

The DICOM standard application context name for DICOM 3.0 is always proposed:

Application Context Name	1.2.840.10008.3.1.1.1
--------------------------	-----------------------

4.2.1.2.2 Number of Associations

Maximum number of simultaneous Associations (Initiator)	10 (configurable)
Maximum number of simultaneous Associations (Acceptor)	unrestricted

4.2.1.2.3 Asynchronous Nature

DICOM Proxy supports asynchronous communication (multiple outstanding transactions over a single association). However, the operations issued over a single association are executed serially.

Maximum number of outstanding asynchronous transactions	unlimited
---	-----------

4.2.1.2.4 Implementation Identifying Information

The implementation information for this Application Entity is:

Implementation Class UID	1.2.276.0.20.1.1.21.5.1.0
Implementation Version Name	DICOMProxy5.1

Hereby the suffix of the implementation class UID represents the current version of DICOMProxy (1.2.276.0.20.1.1.21.[major.minor.patch]) and in the case of the implementation version name only the major and minor components are used (DICOMProxy[major.minor]).

4.2.1.3 Association Initiation Policy

DICOM Proxy initiates an association in these cases:

1. Find: The DICOM Proxy's Q/R SCP receives a query request from a Brainlab application. This query request is converted to a C-FIND request appropriate for each configured external Q/R server.
2. Retrieve: The DICOM Proxy receives a retrieve request from a Brainlab application and the requested data cannot be found in the local cache, then the retrieve request is converted to a C-MOVE/C-GET request for each external Q/R server the request shall be sent to.
3. Query Worklist: The DICOM Proxy receives a worklist query request from a Brainlab application. This request is forwarded to the configured external worklist servers.

4.2.1.3.1 Activity – Find

4.2.1.3.1.1 Description and Sequencing of Activities

A DICOM Query/Retrieve C-FIND request is performed when the Proxy receives a C-FIND request. It also issues a C-FIND request in order to determine the available instances when a C-MOVE request is received by the DICOM Proxy.

4.2.1.3.1.2 Proposed Presentation Contexts

Presentation Context Table			
Abstract Syntax	Transfer Syntax	Role	Ext. Neg.
All SCU SOP Classes listed in Table 4-1 and all FIND SCU SOP Classes as listed in Table 4-3	UNCOMP (as listed in Table 4-4)	SCU	None
		SCU	None
		SCU	None

Table 4-6: Proposed Presentation Contexts for Activity Find.

4.2.1.3.1.3 SOP Specific Conformance

DICOM Proxy provides standard conformance to the DICOM Verification Service Class and to the DICOM Query/Retrieve FIND SOP Classes. No extended negotiation is implemented.

A C-FIND can be executed on all levels. On a lower level, all key attributes of the higher levels are included in the query (i.e. no hierarchical queries are performed). C-FIND's on IMAGE and SERIES level can be disabled via a configuration option.

A C-CANCEL will be sent if the remote node performing the C-FIND/C-MOVE request cancels the operation or if the DICOM Proxy is shut down. If the remote server does not react to a C-CANCEL, the association is aborted. The sending of C-CANCEL's can be disabled via a configuration option.

Attribute Name	Tag	Types of Matching
Patient Level (Patient Root Q/R Information Model) Study Level (Study Root Q/R Information Model)		
Patient's Name	(0010,0010)	S, *, U
Patient ID	(0010,0020)	S, *, U
Patient's Birth Date	(0010,0030)	U
Patient's Sex	(0010,0040)	U
Study Level		
Study Date	(0008,0020)	S, R, U
Accession Number	(0008,0050)	S, *, U
Referring Physician's Name	(0008,0090)	S, *, U
Study Instance UID	(0020,000D)	UNIQUE
Study Time	(0008,0030)	U
Study Description	(0008,1030)	U
Modalities in Study	(0008,0061)	U
SOP Classes in Study	(0008,0062)	U
Number of Study Related Series	(0020,1206)	U
Series Level		
Series Instance UID	(0020,000E)	UNIQUE
Series Number	(0020,0011)	U
Series Description	(0008,103E)	U
Series Date	(0008,0020)	U
Series Time	(0008,0021)	U
Modality	(0008,0060)	U
No. of Series Rel. Instances	(0020,1209)	U
Instance Level		
SOP Instance UID	(0008,0018)	UNIQUE
SOP Class UID	(0008,0016)	U
Instance Number	(0020,0013)	U

Attribute Name	Tag	Types of Matching
Instance Creation Date	(0008,0012)	U
Instance Creation Time	(0008,0013)	U
Arbitrary Search Keys as Requested by the Client	*	U

Table 4-7: Patient Root and Study Root Request Identifier for FIND-SCU

The types of Matching supported by the C-FIND SCU:

- An "S" indicates the identifier attribute uses Single Value Matching.
- An "R" indicates Range Matching.
- A "*" indicates wildcard matching.
- A 'U' indicates Universal Matching (i.e. the attributes value is empty and shall only be returned, not used as a filter key).
- "UNIQUE" indicates that this is the Unique Key for that query level, in which case Universal Matching or Single Value Matching is used depending on the query level.

The DICOM Proxy supports arbitrary search key on Instance Level. This means that the request for a certain Instance Level Attribute is proxied to the Q/R SCP, but not used internally.

Additional Retrieve AET Support:

The DICOM Proxy can be configured to evaluate the attribute Retrieve AE Title (0008,0054). If this attribute is set in a C-FIND response on patient or study level, C-FIND's on the lower levels will be directed to the server specified by this AET.

4.2.1.3.2 Activity – Retrieve (C-MOVE)

4.2.1.3.2.1 Description and Sequencing of Activities

If the DICOM Proxy receives a C-MOVE/C-GET request and the requested data cannot be found in the local cache, a C-MOVE operation is performed. The storage target for receiving the DICOM data (the AET with which the move-request is equipped) is the DICOM Proxy application itself.

In its default configuration, the DICOM Proxy expects to receive all data before receiving a final C-MOVE response. However, the Proxy can be configured to wait for a certain time for incoming C-STORE requests, after the final C-MOVE request has been received.

The DICOM Proxy can be configured to perform retrievals on different levels:

- Study Only: Only whole Studies can be downloaded via a C-MOVE Request on STUDY level
- Series: Individual Series are downloaded via a C-MOVE Request on SERIES level
- Series and Instance: Individual Series and Single Images are downloaded via a C-MOVE request on SERIES or IMAGE level (default configuration).

A C-CANCEL will be sent if the remote node performing the C-MOVE request cancels the operation or if the DICOM Proxy is shut down. If the server does not react to a C-CANCEL, the association is aborted. The sending of C-CANCEL's can be disabled via a configuration option.

4.2.1.3.2.2 Proposed Presentation Contexts

Presentation Context Table			
Abstract Syntax	Transfer Syntax	Role	Ext. Neg.
All SCU SOP Classes listed in Table 4-1 and all SCU MOVE SOP Classes as listed in Table 4-3	UNCOMP (as listed in Table 4-4)	SCU	None
		SCU	None
		SCU	None

Table 4-8: Proposed Presentation Contexts for Activity Move.

4.2.1.3.2.3 SOP Specific Conformance

DICOM Proxy provides standard conformance to the DICOM Verification Service Class and to the DICOM Query/Retrieve MOVE SOP Classes. No extended negotiation is implemented.

Additional Retrieve AET Support:

The DICOM Proxy can be configured to evaluate the attribute Retrieve AE Title (0008,0054). If this attribute is set in a C-FIND response, C-MOVE's will be directed to the server specified by this AET.

4.2.1.3.3 Activity – Retrieve (C-GET)

4.2.1.3.3.1 Description and Sequencing of Activities

If the DICOM Proxy receives a C-MOVE/C-GET request and the requested data cannot be found in the local cache, a C-GET operation is performed. The Proxy expects the matching C-STORE requests to be sent over the same association as the C-GET request.

A C-CANCEL will be sent if the remote node performing the C-MOVE request cancels the operation or if the DICOM Proxy is shut down. If the server does not react to a C-CANCEL, the association is aborted. The sending of C-CANCEL's can be disabled via a configuration option.

4.2.1.3.3.2 Proposed Presentation Contexts

Presentation Context Table			
Abstract Syntax	Transfer Syntax	Role	Ext. Neg.
All SCU SOP Classes listed in Table 4-1 and all SCU GET SOP Classes as listed in Table 4-3	UNCOMP (as listed in Table 4-4)	SCU	None
		SCU	None
		SCU	None

Table 4-9: Proposed Presentation Contexts for Activity Move.

4.2.1.3.3.3 SOP Specific Conformance

DICOM Proxy provides standard conformance to the DICOM Verification Service Class and to the DICOM Query/Retrieve GET SOP Classes. No extended negotiation is implemented.

4.2.1.3.4 Activity - Query Worklist

4.2.1.3.4.1 Description and Sequencing of Activities

If the DICOM Proxy receives a Worklist Query from one of its clients, it issues a C-FIND request to its internal Modality Worklist and the configured remote Worklist servers. The Proxy's clients initiate a worklist query either to list the patients which shall be treated or to perform automatic data prefetching. The filter criteria can be configured on the client side.

An addition for non Brainlab clients, the DICOMProxy allows to deliver the currently treated patients, being treated by Brainlab Elements via Modality Worklist Query service. These C-FIND requests shall use the AE-title "BL_SEL_PAT" as advanced filter criteria.

4.2.1.3.4.2 SOP Specific Conformance

DICOM Proxy provides standard conformance to the DICOM Verification Service Class and to the DICOM Modality Worklist Information Model - FIND. No extended negotiation is implemented.

Presentation Context Table			
Abstract Syntax	Transfer Syntax	Role	Ext. Neg.
All SCU SOP Classes listed in Table 4-1 and all FIND SCU SOP Classes as listed in Table 4-4	UNCOMP (as listed in Table 4-5)	SCU	None
		SCU	None
		SCU	None

Table 4-10: Proposed Presentation Contexts for Activity Move.

4.2.1.4 Association Acceptance Policy

DICOM Proxy accepts an association in this case:

1. Store: The DICOM Proxy receives a C-STORE request from a remote DICOM Node.

4.2.1.4.1 Activity - Store

4.2.1.4.1.1 Associated Real-World Activity

A move request from a Brainlab application is forwarded from the DICOM Proxy to a remote Q/R SCP. The remote system starts to store the instances to the DICOM Proxy Storage SCP. The result is forwarded to the original requestor.

A user wants to push data to the DICOM Proxy for later retrieval. The data shall be stored into the Cache.

4.2.1.4.1.2 Proposed Presentation Contexts

Presentation Context Table			
Abstract Syntax	Transfer Syntax	Role	Ext. Neg
All SCP SOP Classes as listed in Table 4-1 and Table 4-2	All SCP Transfer Syntaxes as listed in Table 4-4	SCU	None
		SCU	None
		SCU	None

Table 4-11: Storage SCP Presentation Contexts.

4.2.1.4.1.3 SOP Specific Conformance

DICOM Proxy provides standard conformance to the DICOM Verification Service Class and to the DICOM Storage SOP Classes. No extended negotiation is implemented.

The received data is either forwarded to the requesting client or stored into the cache. To determine if the data shall be forwarded, the Proxy compares the Patient ID, the Patient Name, the Study UID, and the Series UID from the stored messages with the information found in the original retrieve request. For the comparison of the Patient's Name delimiters are ignored.

The DICOM Proxy can also be configured to ignore the incoming Study and Series UID. In such a case the Study ID, Study Date, Study Time, Study Description, Series Description and Series Number from a previous C-FIND request are used to decide if the incoming data matches the requested data.

4.2.1.4.1.4 Presentation Context Acceptance Criterion

DICOM Proxy accepts multiple presentation contexts containing the same abstract syntax.

4.2.1.4.1.5 Transfer Syntax Selection Policy

The first Transfer Syntax encountered in the configuration file, which matches a Transfer Syntax offered for a given Presentation Context, will be selected as the accepted Transfer Syntax for that Presentation Context.

4.3 Network Interfaces

4.3.1 Physical Network Interface

DICOM Proxy supports the DICOM upper layer using TCP/IP. DICOM Proxy is indifferent to the physical medium over which TCP/IP executes. It inherits this from the operating system upon which it executes.

4.3.2 Additional Protocols

The usage of DNS and DHCP is possible and is based on the network configuration of the operating system upon which DICOM Proxy executes.

4.4 Configuration

4.4.1 AE Title / Presentation Address Mapping

Configuration of remote and local DICOM nodes can be performed with the Brainlab SettingsEditor.

DICOM Proxy can configure several nodes representing remote Q/R Servers or Storage SCPs and their corresponding IP Addresses, Host names and AET's.

4.4.1.1 Local AE Titles

The Local AET and the Move Destination AET for the Query/Retrieve SCU can be configured for each remote Q/R Server.

The AET's of the Storage SCP and the Q/R SCP do not need to be configured, since the DICOM Proxy accepts any called AET. It is recommended to use BRAINLAB_PROXY or PROXY.

Application Entity	Default AE Title	Default TCP/IP Port
DICOM Proxy	BRAINLAB_PROXY	104

4.4.1.2 Remote AE Title/Presentation Address Mapping

You can specify several remote Query/Retrieve SCPs C-MOVE requests can be sent to simultaneously.

4.4.2 Parameters

Additional a timeout may be specified for each DICOM node separately.

Parameter	Configurable	Default Value
Timeout	Yes	30
Maximum PDU Size	No	64234

5 Media Interchange

DICOM Proxy does not support DICOM media interchange for import and export of DICOM data.

6 Support of Extended Character Sets

By default, DICOM Proxy supports ISO_IR 100 (ISO 8859-1:1987 Latin Alphabet No. 1 supplementary set) and data encoded by other character sets as long as a conversion into Windows-1252 (WinLatin-1) code page is possible.

DICOM Proxy can be configured to support any character set (full unicode support). The applicability of this configuration however depends on character sets supported by the connected clients.

7 Security Profiles

By default, DICOM Proxy communicates in an unencrypted manner.

DICOM Proxy can be configured to support encrypted communication (TLS) with server and client authentication.

8 Annexes

8.1 IOD Contents

8.1.1 Created SOP Instances

No SOP Instances are created by the DICOM Proxy, it only stores or forwards instances created by other application entities.

8.1.2 Usage of Attributes from Received IODs

The DICOM Proxy requires each Instance to have a valid Study, Series and Instance UID to be processed.

8.2 Data Dictionary of Private Attributes

None used.

8.3 Coded Terminology and Templates

None supported.

8.4 Grayscale Image Consistency

Not supported.

8.5 Standard Extended/Specialized/Private Sop Classes

None supported.

8.6 Private Transfer Syntaxes

None supported.

9 Indexes

9.1 Index of Tables

Table 1-1: Network services supported by DICOM Proxy.....	5
Table 4-1: Supported Verification SOP Classes	16
Table 4-2: Supported Storage SOP Classes	18
Table 4-3: Supported Query/Retrieve SOP Classes.....	18
Table 4-4: Supported Worklist SOP Classes.....	19
Table 4-5: Supported Transfer Syntaxes (association negotiation).....	20
Table 4-6: Proposed Presentation Contexts for Activity Find.....	21
Table 4-7: Patient Root and Study Root Request Identifier for FIND-SCU	23
Table 4-8: Proposed Presentation Contexts for Activity Move.....	24
Table 4-9: Proposed Presentation Contexts for Activity Move.....	24
Table 4-10: Proposed Presentation Contexts for Activity Move.....	24
Table 4-11: Storage SCP Presentation Contexts.	26

9.2 Index of Figures

Figure 4-1: The Query/Retrieve SCU and Storage SCP application flow diagram	13
Figure 4-2: The Storage SCP application flow diagram	13
Figure 4-3: The Storage SCP application flow diagram	14
Figure 4-4: Sequencing of Query/Retrieve SCU and Storage SCP	15